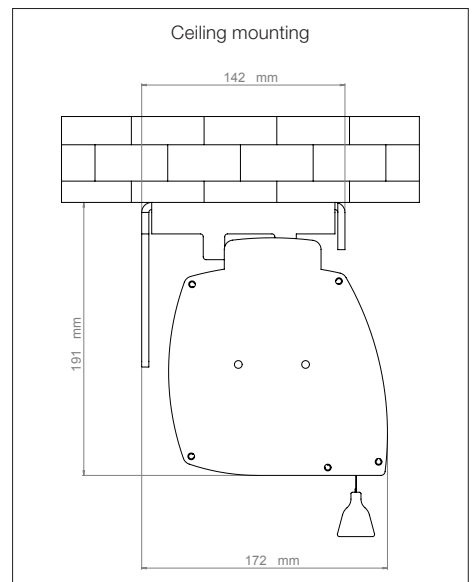
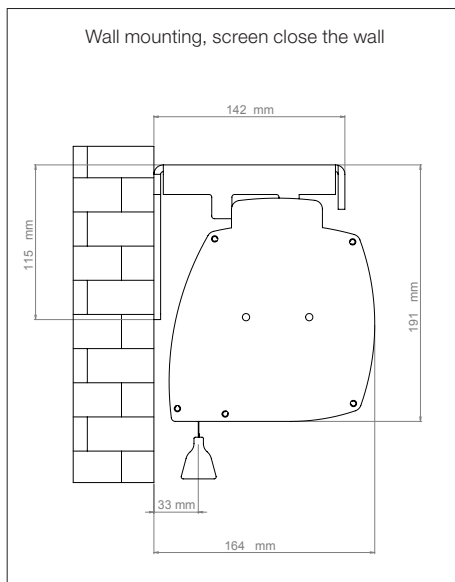
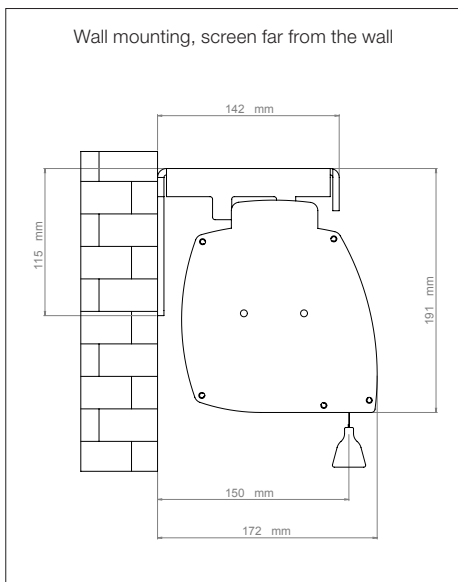
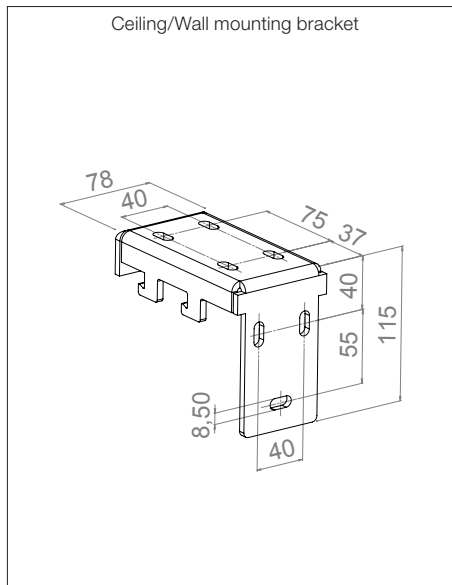
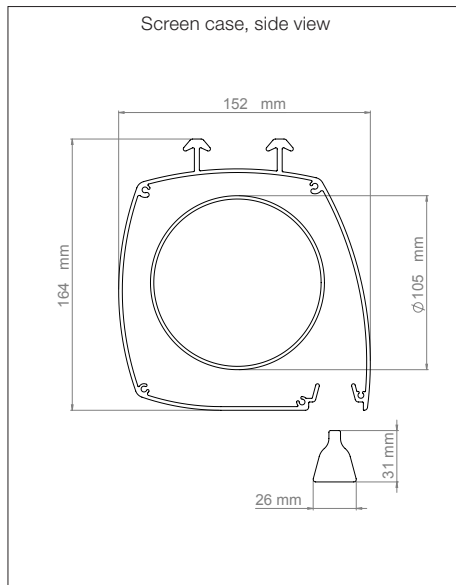
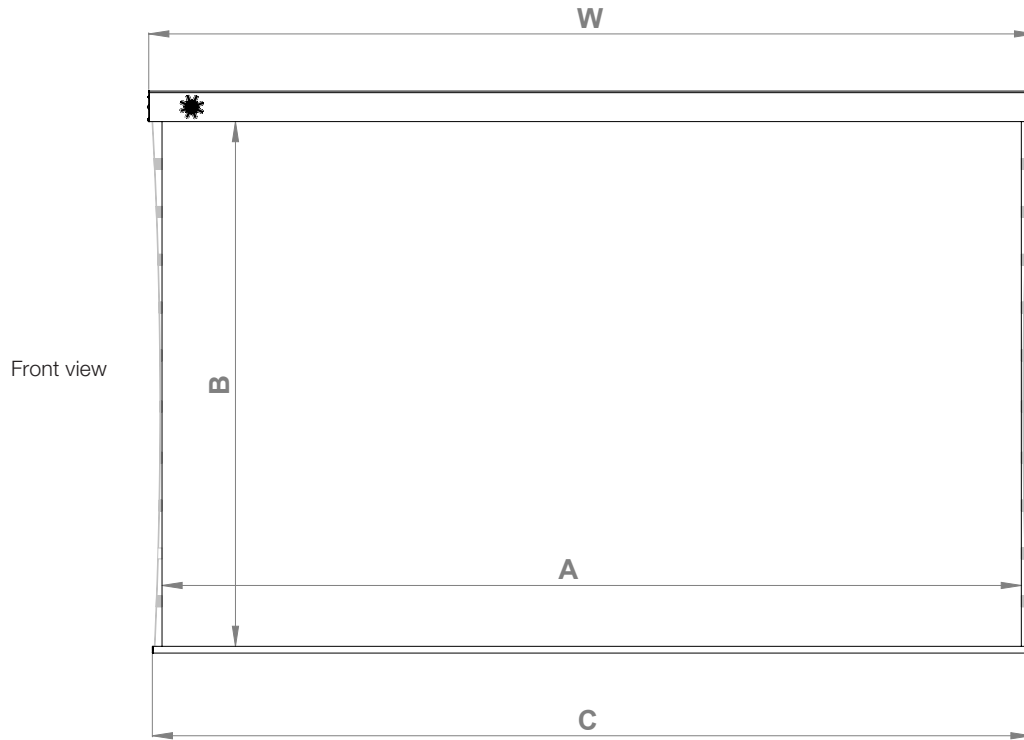




TELOS TENSIONED MOTORIZED PROJECTION SCREEN

Sturdy, reliable projection screen featuring a sleek, stylish aluminium case. The electric Somfy motor ensures a silent, fast movement and the counterweight bar hides completely inside the case once the screen is rolled. The generous size of the rolling bar guarantees the perfect planarity of the screen and avoids any flexure.

Screen	Type	Motorized
	Minimum size	450x193 cm
	Maximum size	500x500 cm
	Max canvas width	500 cm
	Available Ratios	1:1, 4:3, 16:9, 16:10, 21:9
	Available canvas	Soft white, Soft Matt White, Soft contrast grey
	Tensioning	Yes
	Black borders	Available
	Black borders size	5 cm
	Extra drop	Available
	Extra drop size	50 cm
	Adjustmens	Mechanical, factory set with limited adjustment by the enduser
Case	Material	Aluminium
	Installation	Ceiling or Wall
	Extra width of the case	8 cm
	Standard colour	Matte white
Motor	Position	Left
	Type	Tubular
	Supply	90 W
	Speed	17 m/min
	Noise	46 dB
	Command	Wall switch (standard) or radio remote control (optional)
Warranty and certifications	Screen warranty	24 months
	Motor warranty	5 years
	Certifications	CE, IMQ (motor), fireproof (canvas)
Differentiators	Highlights	<ul style="list-style-type: none"> • Sturdy and reliable • Sleek, stylish case • The counterweight bar retracts completely inside the case • The side tensioning system ensures the perfect planarity of the projection canvas • Silent and powerful motor • Carefully manufactured • Top quality materials • Free brackets positioning along the whole width of the case thanks to the exclusive rail system
	Why you should choose it	<ul style="list-style-type: none"> • The same mounting brackets are fit for both ceiling and wall installations • Exclusive design of the case • Invisible counterweight when the screen is completely rolled • Tensioning system depending upon the colour of the canvas, with or without black borders • The size of the inner rolling tubes prevent any flexure and assure a perfect canvas planarity • 100% customizable • Manufactured with italian or EU materials
Accessories	Included	Switch, ceiling/wall mounting brackets, allen key for limit adjustment, manual
	Not included	Radio remote control, radio remote control with motor-embedded receiver



RATIO	SIZE		PROJECTION AREA			BLACK BORDERS	TOP DROP	TUBE ø	SCREEN DESCRIPTION	SOFT WHITE	SOFT MATT WHITE	SOFT CONTRAST GREY
	A	B	A'	B'	O"							
4:3	450	355	440	330	217	5	20	100	TELOS HELGI Motorized tensioned screen w/ black borders Soft White 440X330	STET43440SWB5D20		
4:3	500	393	490	368	242	5	20	100	TELOS HELGI Motorized tensioned screen w/ black borders Soft White 490X368	STET43490SWB5D20		
4:3	450	355	440	330	217	5	20	100	TELOS HELGI Motorized tensioned screen w/ black borders Soft Matt White 440X330		STET43440SMWB5D20	
4:3	500	393	490	368	242	5	20	100	TELOS HELGI Motorized tensioned screen w/ black borders Soft Matt White 490X368		STET43490SMWB5D20	
4:3	450	355	440	330	217	5	20	100	TELOS HELGI Motorized tensioned screen w/ black borders Soft Contrast Grey 440X330			STET43440SGB5D20
4:3	500	393	490	368	242	5	20	100	TELOS HELGI Motorized tensioned screen w/ black borders Soft Contrast Grey 490X368			STET43490SGB5D20
16:9	450	303	440	248	199	5	50	100	TELOS HELGI Motorized tensioned screen w/ black borders Soft White 440X248	STET16440SWB5D50		
16:9	500	331	490	276	222	5	50	100	TELOS HELGI Motorized tensioned screen w/ black borders Soft White 490X276	STET16490SWB5D50		
16:9	450	303	440	248	199	5	50	100	TELOS HELGI Motorized tensioned screen w/ black borders Soft Matt White 440X248		STET16440SMWB5D50	
16:9	500	331	490	276	222	5	50	100	TELOS HELGI Motorized tensioned screen w/ black borders Soft Matt White 490X276		STET16490SMWB5D50	
16:9	450	303	440	248	199	5	50	100	TELOS HELGI Motorized tensioned screen w/ black borders Soft Contrast Grey 440X248			STET16440SGB5D50
16:9	500	331	490	276	222	5	50	100	TELOS HELGI Motorized tensioned screen w/ black borders Soft Contrast Grey 490X276			STET16490SGB5D50
21:9	450	244	440	189	189	5	50	100	TELOS HELGI Motorized tensioned screen w/ black borders Soft White 440X189	STET21440SWB5D50		
21:9	500	265	490	210	210	5	50	100	TELOS HELGI Motorized tensioned screen w/ black borders Soft White 490X210	STET21490SWB5D50		
21:9	450	244	440	189	189	5	50	100	TELOS HELGI Motorized tensioned screen w/ black borders Soft Matt White 440X189		STET21440SMWB5D50	
21:9	500	265	490	210	210	5	50	100	TELOS HELGI Motorized tensioned screen w/ black borders Soft Matt White 490X210		STET21490SMWB5D50	
21:9	450	244	440	189	189	5	50	100	TELOS HELGI Motorized tensioned screen w/ black borders Soft Contrast Grey 440X189			STET21440SGB5D50
21:9	500	265	490	210	210	5	50	100	TELOS HELGI Motorized tensioned screen w/ black borders Soft Contrast Grey 490X210			STET21490SGB5D50
16:10	450	315	440	275	205	5	35	100	TELOS HELGI Motorized tensioned screen w/ black borders Soft White 440X275	STET10440SWB5D35		
16:10	500	346	490	306	228	5	35	100	TELOS HELGI Motorized tensioned screen w/ black borders Soft White 490X307	STET10490SWB5D35		
16:10	450	315	440	275	205	5	35	100	TELOS HELGI Motorized tensioned screen w/ black borders Soft Matt White 440X275		STET10440SMWB5D35	
16:10	500	346	490	306	228	5	35	100	TELOS HELGI Motorized tensioned screen w/ black borders Soft Matt White 490X307		STET10490SMWB5D35	
16:10	450	315	440	275	205	5	35	100	TELOS HELGI Motorized tensioned screen w/ black borders Soft Contrast Grey 440X275			STET10440SGB5D35
16:10	500	346	490	306	228	5	35	100	TELOS HELGI Motorized tensioned screen w/ black borders Soft Contrast Grey 490X307			STET10490SGB5D35
4:3	440	330	440	330	217			100	TELOS HELGI Motorized tensioned screen w/out black borders Soft White 440X330	STET43440SW		
4:3	490	368	490	368	242			100	TELOS HELGI Motorized tensioned screen w/out black borders Soft White 490X368	STET43490SW		
4:3	440	330	440	330	217			100	TELOS HELGI Motorized tensioned screen w/out black borders Soft Matt White 440X330		STET43440SMW	
4:3	490	368	490	368	242			100	TELOS HELGI Motorized tensioned screen w/out black borders Soft Matt White 490X368		STET43490SMW	
4:3	440	330	440	330	217			100	TELOS HELGI Motorized tensioned screen w/out black borders Soft Contrast Grey 440X330			STET43440SG
4:3	490	368	490	368	242			100	TELOS HELGI Motorized tensioned screen w/out black borders Soft Contrast Grey 490X368			STET43490SG
16:9	440	248	440	248	199			100	TELOS HELGI Motorized tensioned screen w/out black borders Soft White 440X248	STET16440SW		
16:9	490	276	490	276	222			100	TELOS HELGI Motorized tensioned screen w/out black borders Soft White 490X276	STET16490SW		
16:9	440	248	440	248	199			100	TELOS HELGI Motorized tensioned screen w/out black borders Soft Matt White 440X248		STET16440SMW	
16:9	490	276	490	276	222			100	TELOS HELGI Motorized tensioned screen w/out black borders Soft Matt White 490X276		STET16490SMW	
16:9	440	248	440	248	199			100	TELOS HELGI Motorized tensioned screen w/out black borders Soft Contrast Grey 440X248			STET16440SG
16:9	490	276	490	276	222			100	TELOS HELGI Motorized tensioned screen w/out black borders Soft Contrast Grey 490X276			STET16490SG
16:10	440	275	440	275	205			100	TELOS HELGI Motorized tensioned screen w/out black borders Soft White 440X275	STET10440SW		
16:10	490	306	490	306	228			100	TELOS HELGI Motorized tensioned screen w/out black borders Soft White 490X307	STET10490SW		

RATIO	SIZE		PROJECTION AREA			BLACK BORDERS	TOP DROP	TUBE ø	SCREEN DESCRIPTION	SOFT WHITE	SOFT MATT WHITE	SOFT CONTRAST GREY
	A	B	A'	B'	O"							
16:10	440	275	440	275	205			100	TELOS HELGI Motorized tensioned screen w/out black borders Soft Matt White 440X275		STET10440SMW	
16:10	490	306	490	306	228			100	TELOS HELGI Motorized tensioned screen w/out black borders Soft Matt White 490X307		STET10490SMW	
16:10	440	275	440	275	205			100	TELOS HELGI Motorized tensioned screen w/out black borders Soft Contrast Grey 440X275			STET10440SG
16:10	490	306	490	306	228			100	TELOS HELGI Motorized tensioned screen w/out black borders Soft Contrast Grey 490X307			STET10490SG
21:9	440	189	440	189	189			100	TELOS HELGI Motorized tensioned screen w/out black borders Soft White 440X189	STET21440SW		
21:9	490	210	490	210	210			100	TELOS HELGI Motorized tensioned screen w/out black borders Soft White 490X210	STET21490SW		
21:9	440	189	440	189	189			100	TELOS HELGI Motorized tensioned screen w/out black borders Soft Matt White 440X189		STET21440SMW	
21:9	490	210	490	210	210			100	TELOS HELGI Motorized tensioned screen w/out black borders Soft Matt White 490X210		STET21490SMW	
21:9	440	189	440	189	189			100	TELOS HELGI Motorized tensioned screen w/out black borders Soft Contrast Grey 440X189			STET21440SG
21:9	490	210	490	210	210			100	TELOS HELGI Motorized tensioned screen w/out black borders Soft Contrast Grey 490X210			STET21490SG
4:3	440	330	440	330	217			100	TELOS HELGI Motorized tensioned screen w/out black borders Retro 440X330			
4:3	490	368	490	368	242			100	TELOS HELGI Motorized tensioned screen w/out black borders Retro 490X368			
16:9	440	248	440	248	199			100	TELOS HELGI Motorized tensioned screen w/out black borders Retro 440X248			
16:9	490	276	490	276	222			100	TELOS HELGI Motorized tensioned screen w/out black borders Retro 490X276			
16:10	440	275	440	275	205			100	TELOS HELGI Motorized tensioned screen w/out black borders Retro 440X275			
16:10	490	306	490	306	228			100	TELOS HELGI Motorized tensioned screen w/out black borders Retro 490X307			
21:9	440	189	440	189	189			100	TELOS HELGI Motorized tensioned screen w/out black borders Retro 440X189			
21:9	490	210	490	210	210			100	TELOS HELGI Motorized tensioned screen w/out black borders Retro 490X210			